

REVELATION

by UTTERMOST

ASSEMBLY INSTRUCTIONS

ITEM.: R24919

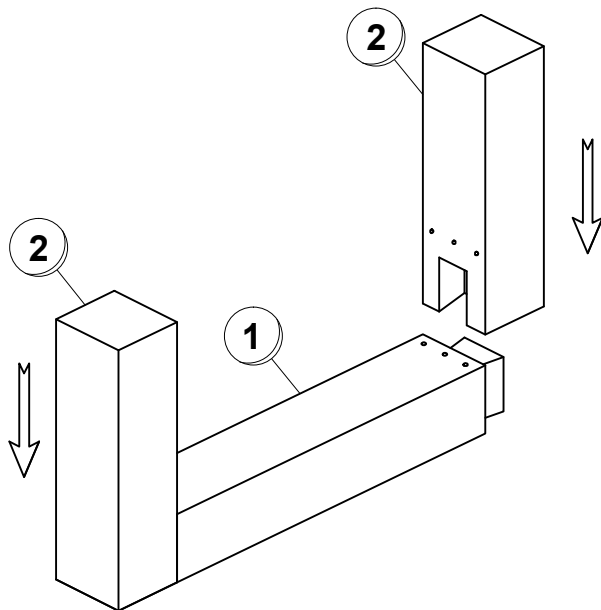
Step 1

Take the parts carefully out of carton, and then place them on a flat and soft surface, making sure that parts will not be damaged.



Note: The product is heavy and requires multiple people to assemble.

Step 2

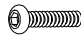




Lift the foot (2) and load it vertically into the panel (1)



PART LIST

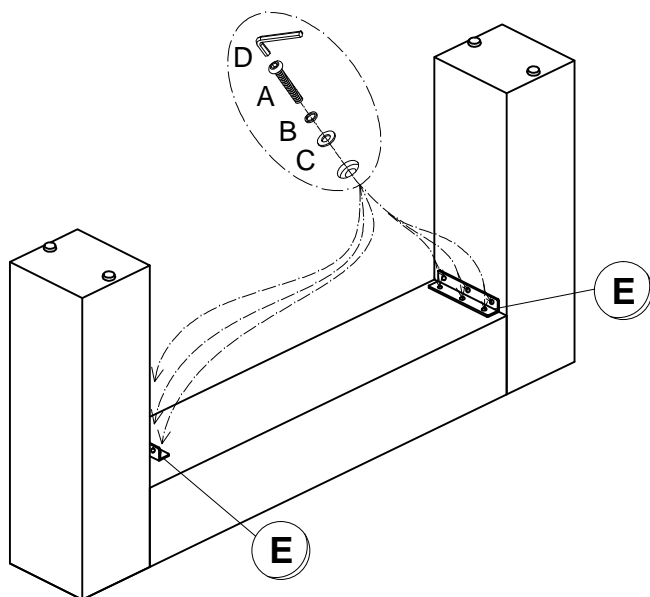
NO.	DESCRIPTION	QTY
1	Top 	1 PC
2	Leg 	2 PCS

HARDWARE

A	Bolt 	12
B	Lock washer 	12
C	Flat washer 	12
D	Allen wrench 	1
E	Angle iron 	2

Step 3

Fix the panel (1) and foot (2) with hardware (E, A, B, C)



Step 4

Complete

